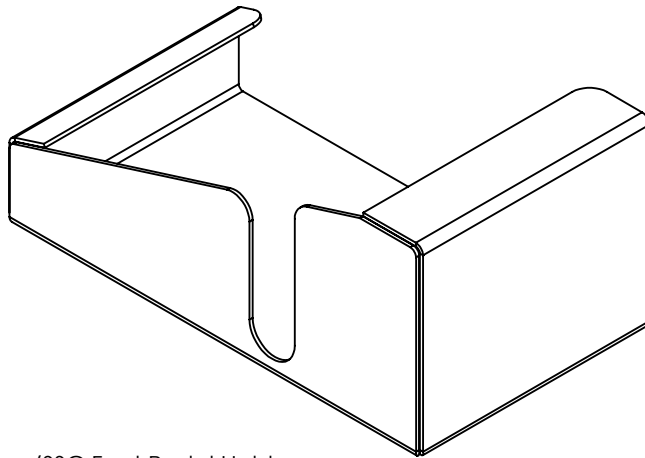
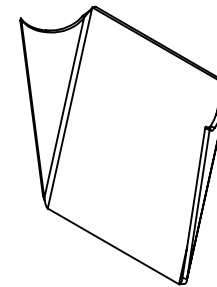


Foot Pedal Holder with Optional Gusset

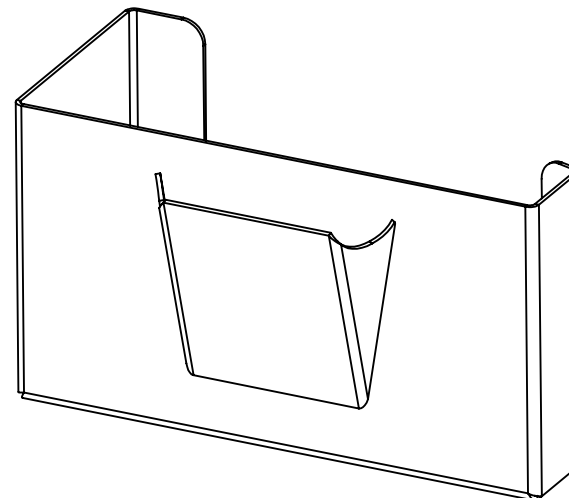
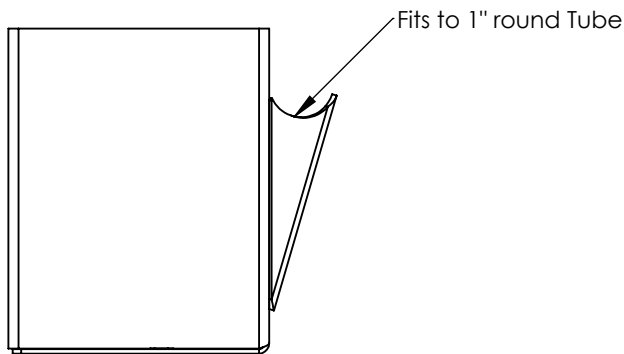
Since the final location and position of the foot pedal holder will vary with customer preference it may, or may not, require the use of the included gusset.



(SSC Foot Pedal Holder
Shown for Reference)



Gusset



Gusset can be used with the foot pedal holder in the horizontal or vertical position.